

Speech network

BA6566/BA6566F/BA6566FP

The BA6566, BA6566F, and BA6566FP are speech network ICs which possess the basic functions required for handset communications. In addition to amplifying signals from a transmitter and sending them to a telephone line, they also amplify only reception signals from a telephone line and drive the receiver. They also compensate for fluctuation in the volume at which signals are transmitted and received, caused by the length of the telephone line (AGC).

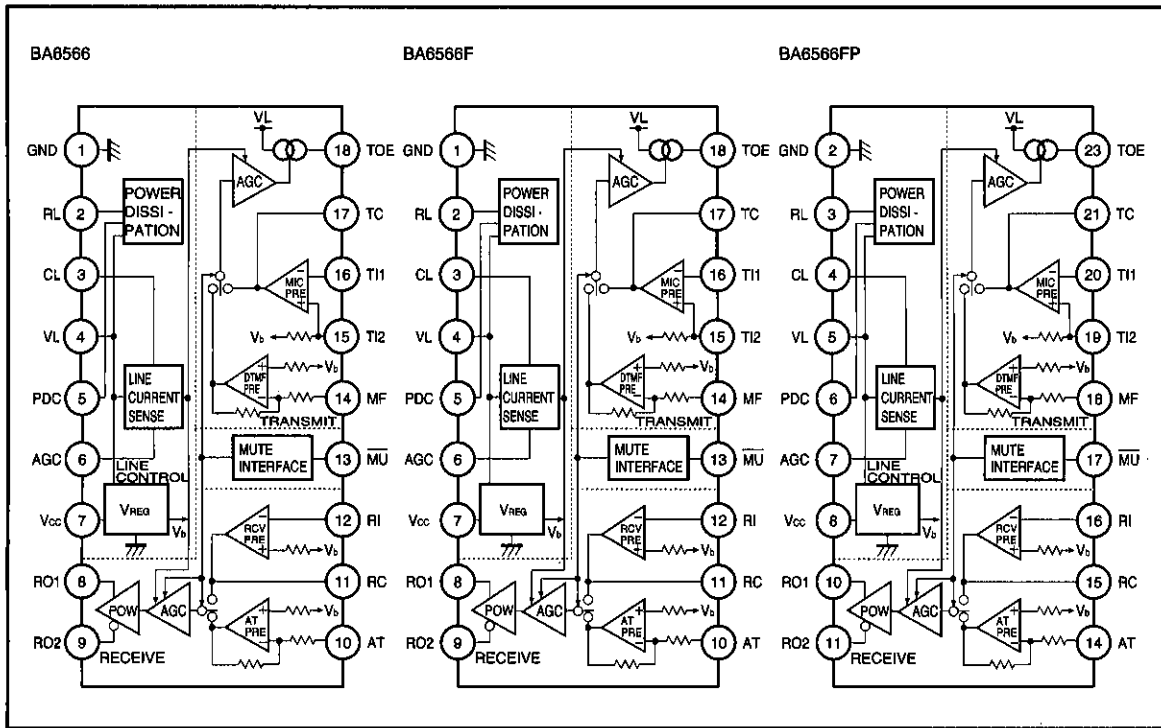
●Applications

Telephones and telephone equipment

●Features

- 1) Can accommodate both dynamic and piezoelectric receivers, simply by changing the circuit constant for a wide dynamic reception range.
- 2) Automatic gain control (AGC) is used, based on the transmission and reception telephone line current, for easier compliance with communications standards.
- 3) Erroneous operation caused by high-frequency electrical wave interference is minimized.
- 4) An HSOP package is used, eliminating the need for an attached transistor to dissipate heat. This means that a common circuit can be shared when a DIP package is used (BA6566FP).

●Block diagram



● Absolute maximum ratings (Ta=25°C)

Parameter	Symbol	Limits	Unit
Applied voltage	V _L	16.5	V
Power dissipation	BA6566	1100* ¹	mW
	BA6566F	600* ²	
	BA6566FP	1200* ³	
Operating temperature	T _{opr}	-35~60	°C
Storage temperature	T _{stg}	-55~125	°C
Current consumption	I _L	125* ⁴	mA

* 1 Reduced by 11 mW for each increase in Ta of 1°C over 25°C.

* 2 Reduced by 6 mW for each increase in Ta of 1°C over 25°C.

* 3 Reduced by 12 mW for each increase in Ta of 1°C over 25°C.

When mounted on 90 mm × 50 mm × 1.6 mm glass epoxy board, fins should be soldered to foil pattern.

* 4 With the BA6566, Reduced by 1 mA for each increase in Ta of 1°C over 50°C.

With the BA6566F, Reduced by 1.4 mA for each increase in Ta of 1°C over 50°C.

With the BA6566FP, Reduced by 1 mA for each increase in Ta of 1°C over 50°C.

Speech network

Telephones

●Electrical characteristics (Ta=25°C)

Parameter	Symbol	Min.	Typ.	Max.	Unit	Conditions				Measurement Circuit
						I _L (mA)	AGC	Mute	f=1kHz	
Line voltage (5)	V _L (5)	—	2.0	—	V	5	—	—	—	Fig.2
Line voltage (20)	V _L (20)	2.5	3.5	5.0	V	20	—	—	—	Fig.2
Line voltage (30)	V _L (30)	3.0	4.0	5.4	V	30	—	—	—	Fig.2
Line voltage (90)	V _L (90)	5.2	7.0	9.5	V	90	—	—	—	Fig.2
Mute low level input voltage	V _{IL}	0.1	0.18	0.25	V	20~90	—	—	—	Fig.2
Mute low level input current	I _{IL}	25	35	45	μA	20~90	—	—	—	Fig.2
Transmit gain 1 (20-90)	G _{T1} (20-90)	37	41	44	dB	20~90	OFF	OFF	V _{in} =-50dBV	Fig.3
Transmit gain 1 (30-90)	G _{T1} (30-90)	38	41	44	dB	30~90	OFF	OFF	V _{in} =-50dBV	Fig.3
Transmit gain 2 (20)	G _{T2} (20)	38	41	45	dB	20	ON	OFF	V _{in} =-50dBV	Fig.3
Transmit gain 2 (30)	G _{T2} (30)	38	41	44	dB	30	ON	OFF	V _{in} =-50dBV	Fig.3
Transmit gain 2 (90)	G _{T2} (90)	34.5	37.5	40.5	dB	90	ON	OFF	V _{in} =-50dBV	Fig.3
Transmit distortion attenuation	D _T	—	-46	-20	dB	20~90	—	OFF	V _{in} =-50dBV	Fig.3
Transmit noise level	N _T	—	-68	-55	dBV	20~90	—	OFF	BPF=400Hz ~30kHz	Fig.3
Maximum transmit output level (20-90)	O _T (20-90)	-2	3	—	dBV	20~90	—	OFF	Dist=-20dB	Fig.3
Maximum transmit output level (30-90)	O _T (30-90)	0	3	—	dBV	30~90	—	OFF	Dist=-20dB	Fig.3
Receive gain 1 (20-90)	G _{R1} (20-90)	-13	-10	-7	dB	20~90	OFF	OFF	S _i =1 V _{in} =-20dBV	Fig.4
Receive gain 1 (20)	G _{R1} (20)	-13	-10	-7	dB	20	ON	OFF	S _i =1 V _{in} =-20dBV	Fig.4
Receive gain 1 (30)	G _{R1} (30)	-13	-10	-7	dB	30	ON	OFF	S _i =1 V _{in} =-20dBV	Fig.4
Receive gain 1 (90)	G _{R1} (90)	-16.5	-13.5	-10.5	dB	90	ON	OFF	S _i =1 V _{in} =-20dBV	Fig.4
Receive distortion attenuation 1	D _{R1}	—	-46	-20	dB	20~90	—	OFF	S _i =1 V _{in} =-20dBV	Fig.4
Receive noise level 1	N _{R1}	—	-70	-60	dBV	20~90	—	OFF	BPF=400Hz ~30kHz	Fig.4
Maximum receive output level 1 (20-90)	O _{R1} (20-90)	-15	-7	—	dBV	20~90	—	OFF	Dist=-20dB	Fig.4
Maximum receive output level 1 (30-90)	O _{R1} (30-90)	-11	-7	—	dBV	30~90	—	OFF	Dist=-20dB	Fig.4
Receive gain 2 (20-90)	G _{R2} (20-90)	5	8	11	dB	20~90	OFF	OFF	S _i =2 V _{in} =-20dBV	Fig.4
Receive gain 2 (20)	G _{R2} (20)	5	8	11	dB	20	ON	OFF	S _i =2 V _{in} =-20dBV	Fig.4

Parameter	Symbol	Min.	Typ.	Max.	Unit	Conditions				Measurement Circuit
						I _L (mA)	AGC	Mute	f=1kHz	
Receive gain 2 (30)	G _{R2} (30)	5	8	11	dB	30	ON	OFF	S ₁ =2 V _{in} =-20dBV	Fig.4
Receive gain 2 (90)	G _{R2} (90)	1.5	4.5	7.5	dB	90	ON	OFF	S ₁ =2 V _{in} =-20dBV	Fig.4
Receive distortion attenuation 2	D _{R2}	—	-46	-20	dB	20~90	—	OFF	S ₁ =2 V _{in} =-20dBV	Fig.4
Receive noise level (20 - 90)	N _{R2} (20 - 90)	—	-66	-50	dBV	20~90	—	OFF	BPF=400Hz ~30kHz	Fig.4
Receive noise level 2 (30 - 90)	N _{R2} (30 - 90)	—	-66	-55	dBV	30~90	—	OFF	BPF=400Hz ~30kHz	Fig.4
Maximum receive output level 2 (20 - 90)	O _{R2} (20 - 90)	1	7	—	dBV	20~90	—	OFF	Dist=-20dB	Fig.4
Maximum receive output level 2 (30 - 90)	O _{R2} (30 - 90)	3	7	—	dBV	30~90	—	OFF	Dist=-20dB	Fig.4
DTMF gain 1	G _{D1} (20 - 90)	30.5	33.5	36.5	dB	20~90	OFF	ON	V _{in} =-40dBV	Fig.5
DTMF gain 2 (20)	G _{D1} (20)	30	33	36	dB	20	ON	ON	V _{in} =-40dBV	Fig.5
DTMF gain 2 (30)	G _{D2} (30)	30	33	36	dB	30	ON	ON	V _{in} =-40dBV	Fig.5
DTMF gain 2 (90)	G _{D2} (90)	27	30	33	dB	90	ON	ON	V _{in} =-40dBV	Fig.5
DTMF distortion attenuation	D _D	—	-41	-28	dB	20~90	—	ON	V _{in} =-40dBV	Fig.5
DTMF noise level	N _D	—	-64	-55	dBV	20~90	—	ON	BPF=400Hz ~30kHz	Fig.5
Maximum DTMF output level (20 - 90)	O _D (20 - 90)	-4.5	-0.5	—	dBV	20~90	—	ON	Dist=-28dB	Fig.5
Maximum DTMF output level (30 - 90)	O _D (30 - 90)	-3.5	-0.5	—	dBV	30~90	—	ON	Dist=-28dB	Fig.5
AT gain 1	G _{A1}	23.5	26.5	29.5	dB	20~90	—	ON	S ₁ =1 V _{in} =-40dBV	Fig.6
AT gain 2	G _{A2}	26.5	29.5	32.5	dB	20~90	—	ON	S ₁ =2 V _{in} =-40dBV	Fig.6
AC impedance	Z _{TEL}	450	565	750	Ω	20~90	—	—	V _{in} =-20dBV	Fig.7
V _{CC} pin voltage	V _{CCR}	1.15	1.27	—	V	20	—	—	S ₃ =ON	Fig.2

Speech network

Telephones

● Measurement circuits

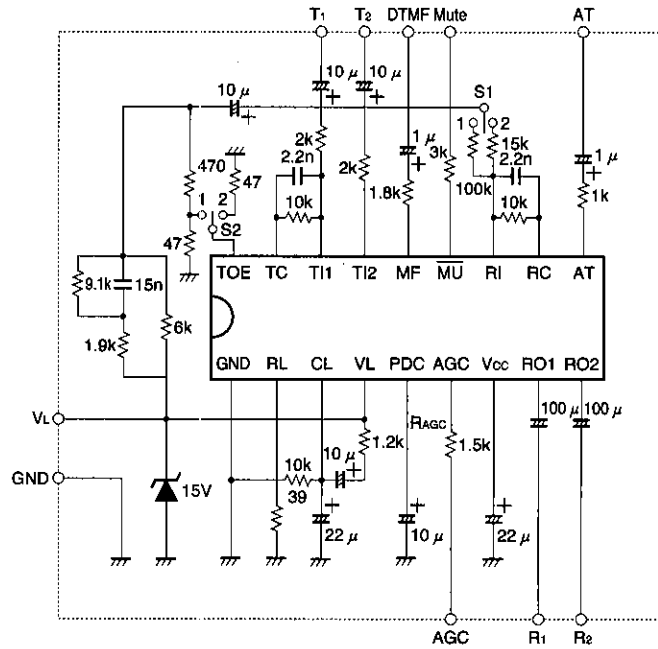


Fig. 1

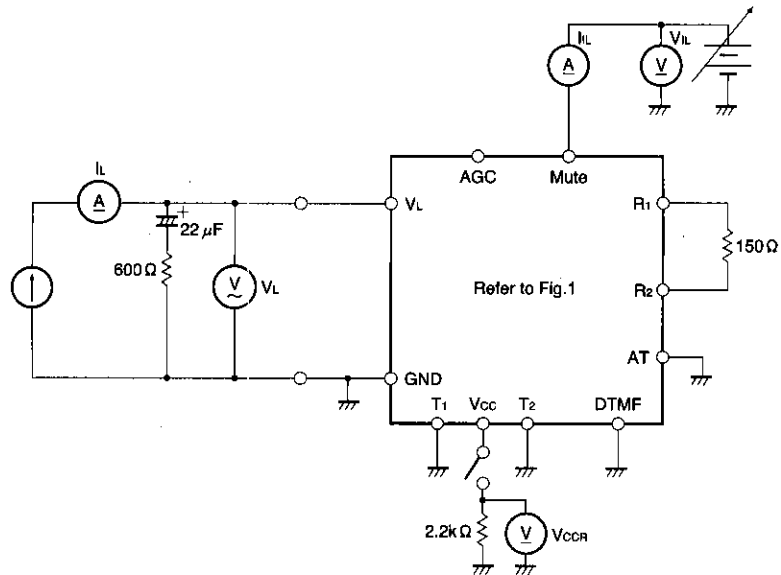


Fig. 2

● Measurement circuits

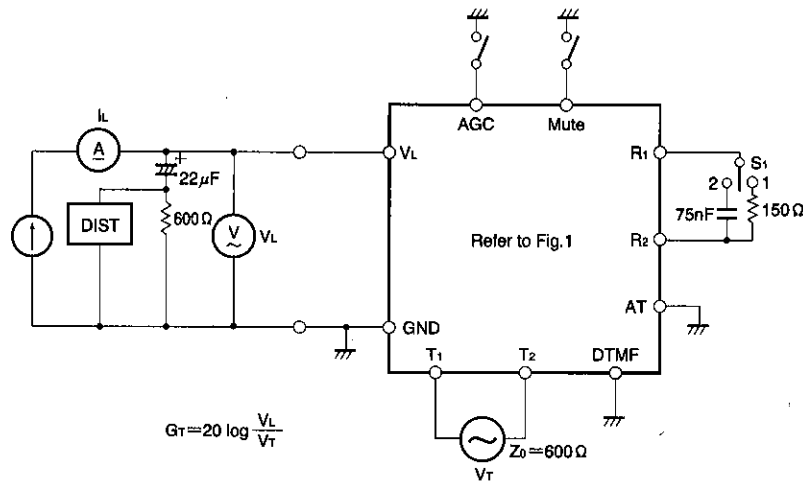


Fig. 3

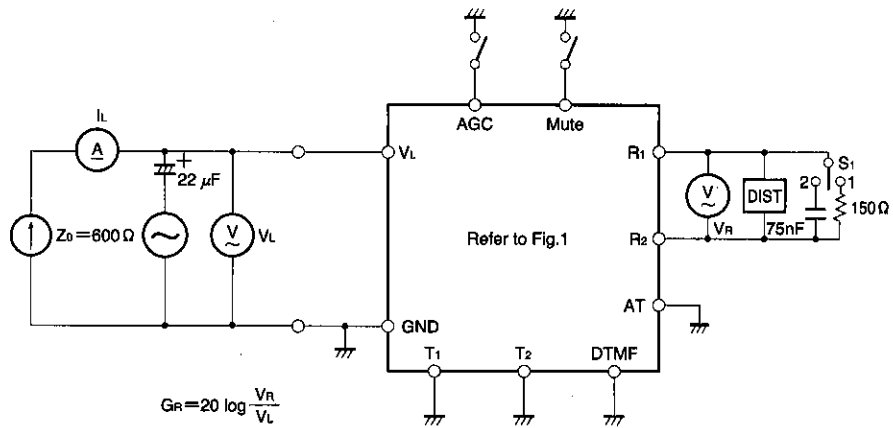


Fig. 4

Telephones Speech network

● Measurement circuits

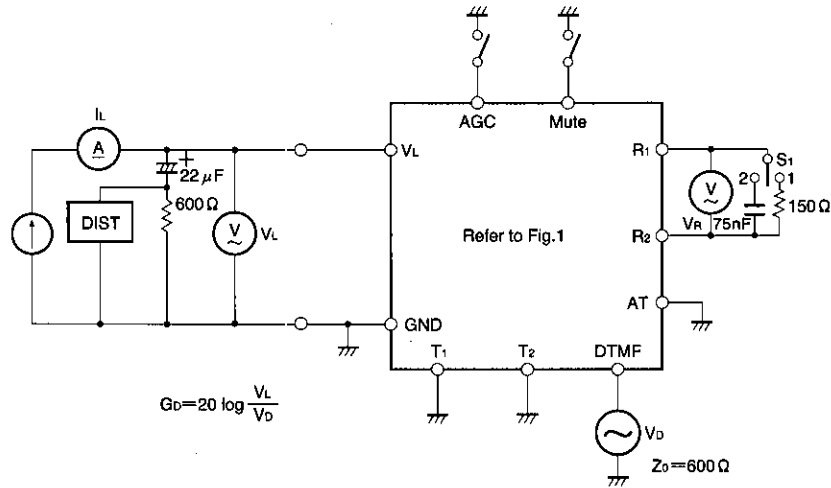


Fig. 5

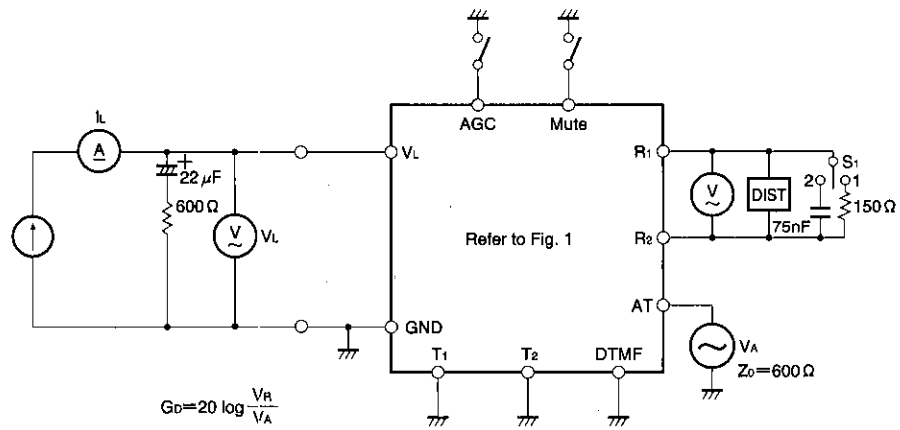


Fig. 6

● Measurement circuits

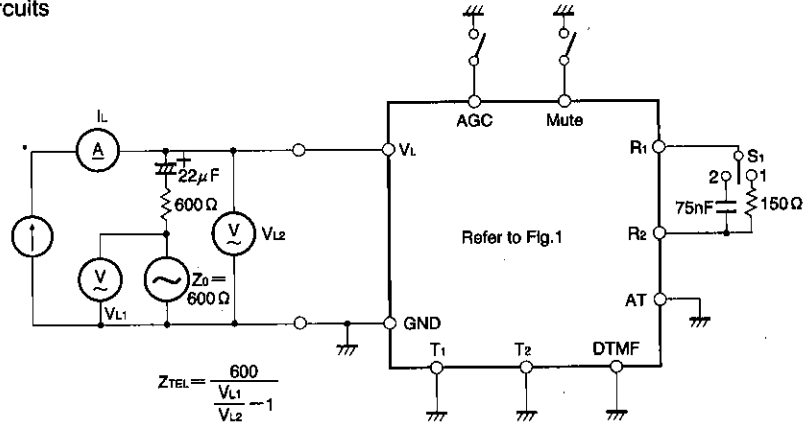
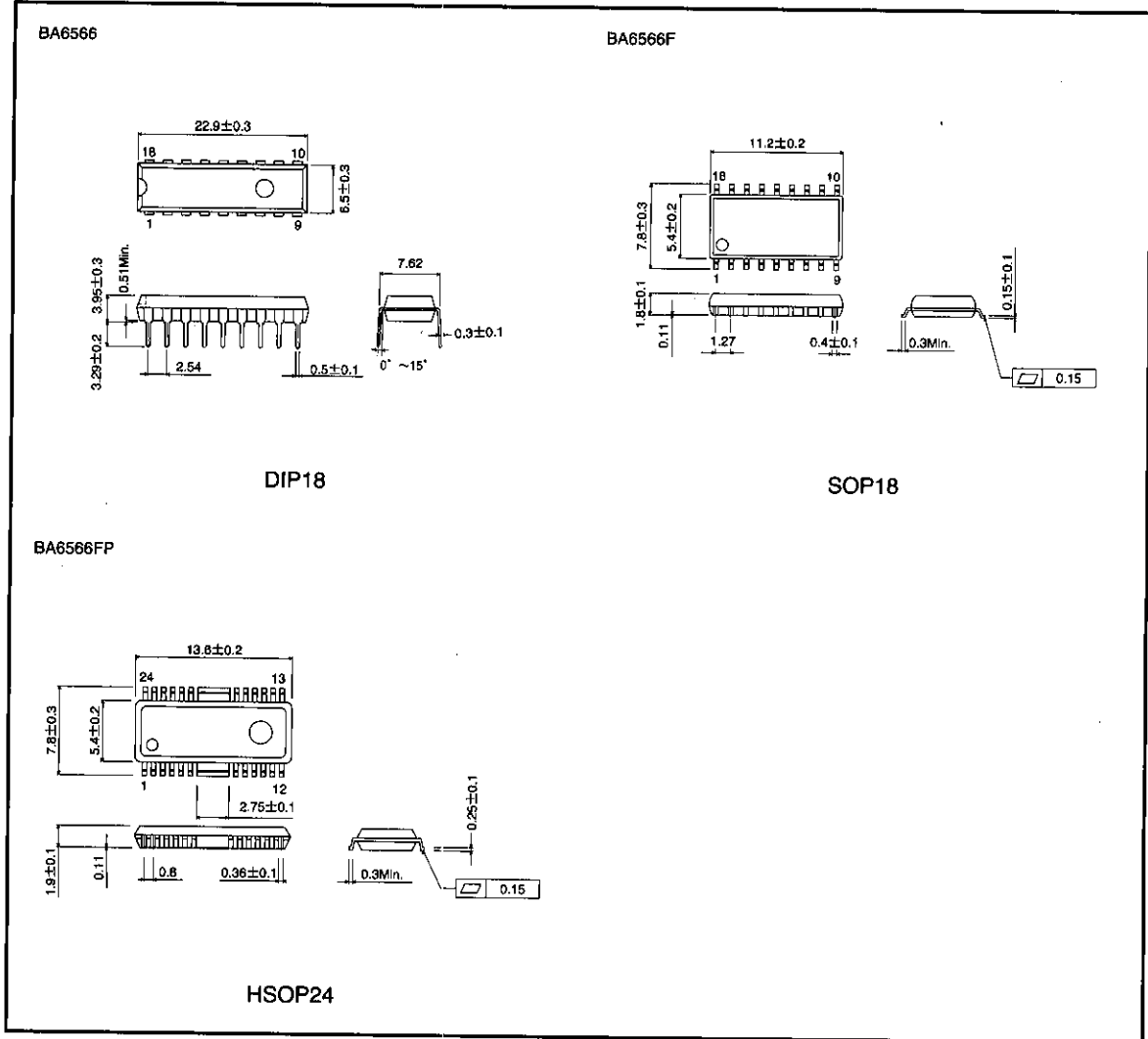


Fig. 7

Speech network

Telephones

● External dimensions (Units: mm)



Notes

- The contents described in this catalogue are correct as of March 1997.
- No unauthorized transmission or reproduction of this book, either in whole or in part, is permitted.
- The contents of this book are subject to change without notice. Always verify before use that the contents are the latest specifications. If, by any chance, a defect should arise in the equipment as a result of use without verification of the specifications, ROHM CO., LTD., can bear no responsibility whatsoever.
- Application circuit diagrams and circuit constants contained in this data book are shown as examples of standard use and operation. When designing for mass production, please pay careful attention to peripheral conditions.
- Any and all data, including, but not limited to application circuit diagrams, information, and various data, described in this catalogue are intended only as illustrations of such devices and not as the specifications for such devices. ROHM CO., LTD., disclaims any warranty that any use of such device shall be free from infringement of any third party's intellectual property rights or other proprietary rights, and further, assumes absolutely no liability in the event of any such infringement, or arising from or connected with or related to the use of such devices.
- Upon the sale of any such devices; other than for the buyer's right to use such devices itself, resell or otherwise dispose of the same; no express or implied right or license to practice or commercially exploit any intellectual property rights or other proprietary rights owned or controlled by ROHM CO., LTD., is granted to any such buyer.
- The products in this manual are manufactured with silicon as the main material.
- The products in this manual are not of radiation resistant design.

The products listed in this catalogue are designed to be used with ordinary electronic equipment or devices (such as audio-visual equipment, office-automation equipment, communications devices, electrical appliances, and electronic toys). Should you intend to use these products with equipment or devices which require an extremely high level of reliability and the malfunction of which would directly endanger human life (such as medical instruments, transportation equipment, aerospace machinery, nuclear-reactor controllers, fuel controllers, or other safety devices) please be sure to consult with our sales representatives in advance.

- Notes when exporting
 - It is essential to obtain export permission when exporting any of the above products when it falls under the category of strategic material (or labor) as determined by foreign exchange or foreign trade control laws.
 - Please be sure to consult with our sales representatives to ascertain whether any product is classified as a strategic material.